

RTF Heavy Duty Industrial Cord Reel Accessories



360° Continuous Swivel Base



345° Pivot Base

ACCESSORIES

- Pre-wired options include outlet boxes, plugs, or connectors
- Optional Pivot Base rotates up to 345°
- Optional Swivel Base 360° continuous rotation

RTF Series Cord Reels are de-rated to the NEMA rating of the accessories when added



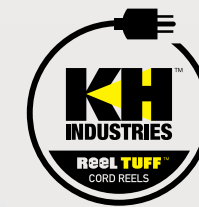
LIGHTING
& POWER

RTF Heavy Duty Industrial Cord Reels

NEMA 4X rated for indoor, outdoor, and corrosive use, including wet locations and dust-environments.



RTFH3L-WW-B12K



APPLICATIONS

- Utility Trucks
- Engine Block Heater Stations
- Construction
- Maintenance
- Manufacturing
- Mining
- Cranes/Hoists
- Food/Chemical Processing
- Utilities
- Agricultural

FEATURES

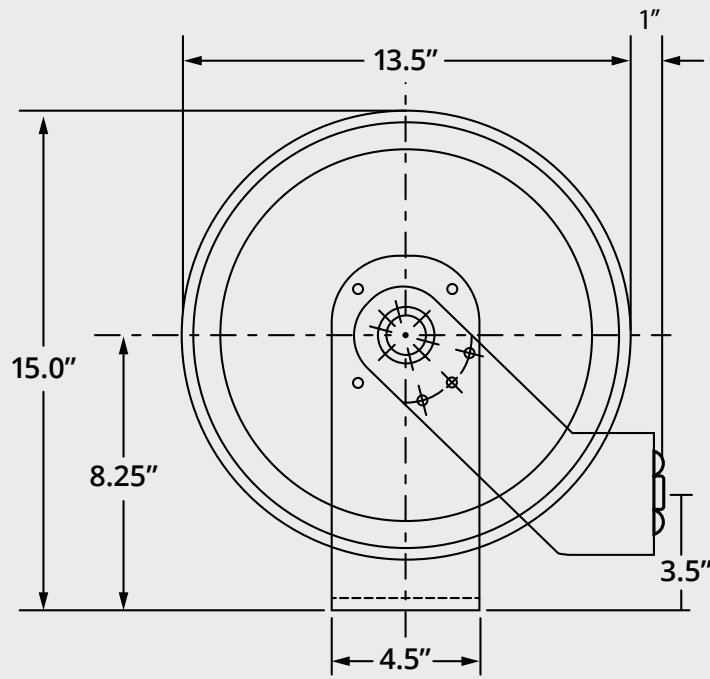
- 35 Amp/600 VAC rated slip ring
- Heavy duty formed steel mounting base for ceiling, wall, or floor
- Yellow powder-coat finish
- Adjustable 4 roller guide arm included; 12 possible positions
- Adjustable ratchet can be engaged (positive lock) or disengaged (constant tension) as needed
- Adjustable ball stop included

OPTIONS

- 2-12 Conductors
- 16-10 AWG
- SOOW, SJOW, welding, and grounding
- Custom cord lengths up to 100' available
- Motorized options
- Pivot or Swivel bases available

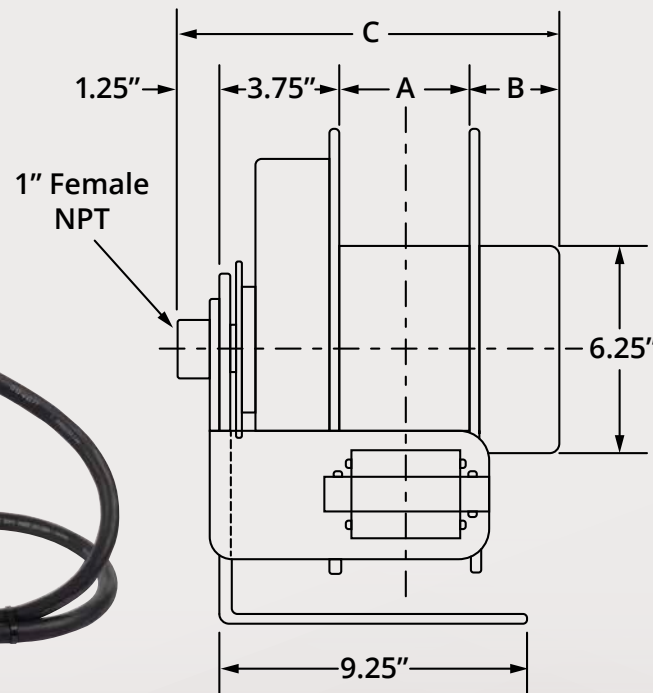
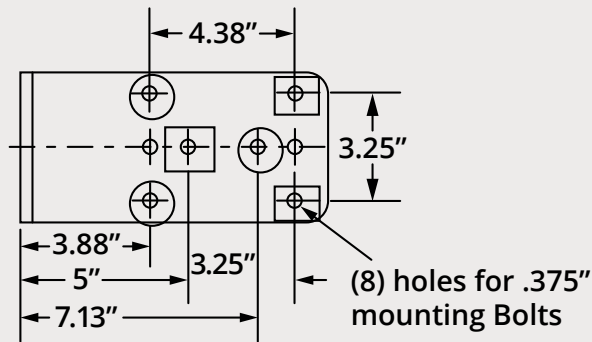


Specifications



- 3" & 4.5" Drum Width
- 6" Drum Width

Note: Mounting pattern for use with pivot base



A=3" to 6" B=3.5" to 8.5" C=13" to 18"
 Note: A, B, or C depends on exact configuration

KH Industries offers the following selection of retractable power cord reels that will meet most lift/drag applications and environmental needs. **The table below is a limited sample of the many cord reels KH Industries has available. For additional configurations or custom needs, please visit our website or call us today.**



RTFD3LW-1DD520-H12G
 NEMA 2

RTF Cord Reels are NEMA 4X Rated for indoor, outdoor use in corrosive environments			
Model No.	Cord Length	Gauge/Conductor	Max Amps
RTFD3L-WW-B16G	30'	16/3	10
RTFD3L-WW-B16K	50'		
RTFB3L-WW-B16O	70'		
RTFD4L-WW-B16G	30'	16/4	8
RTFD4L-WW-B16K	50'		
RTFA4L-WW-B16O	70'		
RTFD3L-WW-B14G	30'	14/3	15
RTFJ3L-WW-B14O	70'		
RTFD4L-WW-B14G	30'		
RTFQ4L-WW-B14O	70'	14/4	12
RTFD3L-WW-B12G	30'		
RTFH3L-WW-B12K	50'		
RTFQ3L-WW-B12O	70'	12/3	20
RTFH4L-WW-B12K	50'		
RTFD4L-WW-B12G	30'		
RTFP4L-WW-B12M	60'	12/4	16
RTFD3L-WW-B10G	30'		
RTFH3L-WW-B10K	50'		
RTFC4L-WW-B10G	30'	10/3	25
RTFP4L-WW-B10K	50'		
		10/4	20

Model No.	Pivot/Swivel Bases
RTBF-PVB	Pivot Base, 345°
RTBF-SWB3	Swivel Base, 360° continuous rotation; 3 conductor
RTBF-SWB4	Swivel Base, 360° continuous rotation; 4 conductor

Additional configurations are available, including custom cord lengths and pre-wired plugs, connectors, and outlet boxes. RTF Series cord reels can accommodate: 2-12 Conductors, 16-10 AWG Cord Gauges, SOOW or SJOW cable type. RTF Reels can also be used for welding and grounding reels. Please contact KH Industries for more information.

Specifications: For complete measurements, contact KH Industries for a dimensional drawing.

