



HazRay™ Handheld Portable Hazardous Location Luminaire Operating Instructions



READ ALL INSTRUCTIONS.

THESE INSTRUCTIONS INCLUDE INFORMATION FOR USE IN HAZARDOUS LOCATIONS. FOLLOW THE APPROPRIATE WARNING AND SPECIAL INSTRUCTIONS SPECIFIC TO HAZARDOUS LOCATION USE. ONLY FIXTURES MARKED FOR USE IN HAZARDOUS LOCATIONS ARE SUITABLE FOR USE IN HAZARDOUS LOCATIONS.

YOUR DEVICE MAY HAVE BEEN PURCHASED WITHOUT AN ELECTRICAL CONNECTOR. IT IS THE RESPONSIBILITY OF THE OPERATOR TO ENSURE ONLY UL/CSA LISTED DEVICES SUITABLE FOR THE ENVIRONMENT ARE USED. CONNECTIONS WITH A HAZARDOUS ENVIRONMENT REQUIRE THE USE OF CSA/UL LISTED COMPONENTS SUITABLE FOR CLASS I DIV1 GROUP C&D, CLASS I DIV2 GROUPS A,B,C AND D; CLASS II GROUPS E,F,G ; CLASS III INSTALLATION.

ALL WIRING SHOULD BE DONE BY A LICENSED ELECTRICIAN IN ACCORDANCE WITH STATE AND LOCAL CODES AS WELL AS NEC STANDARDS. IMPROPER INSTALLATION MAY RESULT IN SERIOUS INJURY.

THIS DEVICE SHALL NOT BE HARDWIRED TO A JUNCTION BOX.

REFER TO PRODUCT LABEL FOR ENVIRONMENTAL RATINGS.

GENERAL INFORMATION

KH Industries Hazardous Location luminaires meet the requirements of UL12.12.03-15; UL844 13th Ed; UL1598 3rd Ed; UL8750 1st ED; UL1203 5th Ed; UL50 13th Ed; CSA C22.2 No.213-15; C22.2 No.137-M1981; C22.2 No.250.4-14; C22.2 No.250.13-12; C22.2 No.30-M1986; C22.2 No.94-M91 for Class I Div 1 Groups C and D; Class I Div 2 Groups A,B,C, and D; T5 Class II, Grps, E,F,G; Class III

Technical Data	
Input Voltage	110 VAC
Input Power	17 W
Light Output	1700 Lumen
Supply Cord	16/3 Min
Weight [†]	<2 lbs
Operating Environment	-25 – 40°C
[†] Minus Cord	

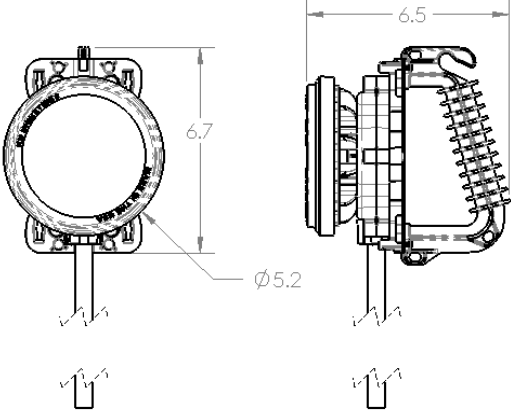
Operating Instructions

Inspect for damage, wear, missing or loose parts. If found remove from service and call KH Industries. Connect to proper power source for immediate illumination.

Safety Information

WARNING: Never leave your HazRay unattended and energized.
CAUTION: The lamp may become hot to the touch. Do not handle the luminaire by other than the handle or mounting device.

Do not use this luminaire if there are loose components or signs of damage or excessive wear.



Maintenance

WARNING: It is very important that only qualified personnel perform maintenance and repair operations in a non-hazardous area. Prior to each use, operator should visually inspect light. If there are any signs of loose, worn or damaged components, immediately remove the luminaire from service and contact KH Industries.

Maintain the cleanliness of the unit. Keep heatsink fins of the lamp clear of debris and accumulating contaminants.

Accessories

Protective caps and mounting accessories are available contact KH sales for details

Clear Protective Cap	KH400-03026-001
Diffuser Protective Cap	KH400-03026-002
Domed Protective Cap	KH400-03026-005
Articulated Small Claw, 5/8-1" Grip	KH400-03066-001
Articulated Large Claw, 1-17/8" Grip	KH400-03066-002
Articulated Magnet Base	KH400-03066-003



Safety straps are provided and should be used in conjunction with mounting hardware

This product has a one-year limited warranty from any factory defects on parts and labor