



## HazRay™ Hazardous Location Multi-Head String Light Operating Instructions



### **READ ALL INSTRUCTIONS.**

*THESE INSTRUCTIONS INCLUDE INFORMATION FOR USE IN HAZARDOUS LOCATIONS. FOLLOW THE APPROPRIATE WARNING AND SPECIAL INSTRUCTIONS SPECIFIC TO HAZARDOUS LOCATION USE. ONLY FIXTURES MARKED FOR USE IN HAZARDOUS LOCATIONS ARE SUITABLE FOR USE IN HAZARDOUS LOCATIONS.*

**YOUR DEVICE MAY HAVE BEEN PURCHASED WITHOUT AN ELECTRICAL CONNECTOR. IT IS THE RESPONSIBILITY OF THE OPERATOR TO ENSURE ONLY UL/CSA LISTED DEVICES SUITABLE FOR THE ENVIRONMENT ARE USED. CONNECTIONS WITH A HAZARDOUS ENVIRONMENT REQUIRE THE USE OF CSA/UL LISTED COMPONENTS SUITABLE FOR CLASS I DIV1 GROUP C&D, CLASS I DIV2 GROUPS A,B,C AND D; CLASS II GROUPS E,F,G ; CLASS III INSTALLATION.**

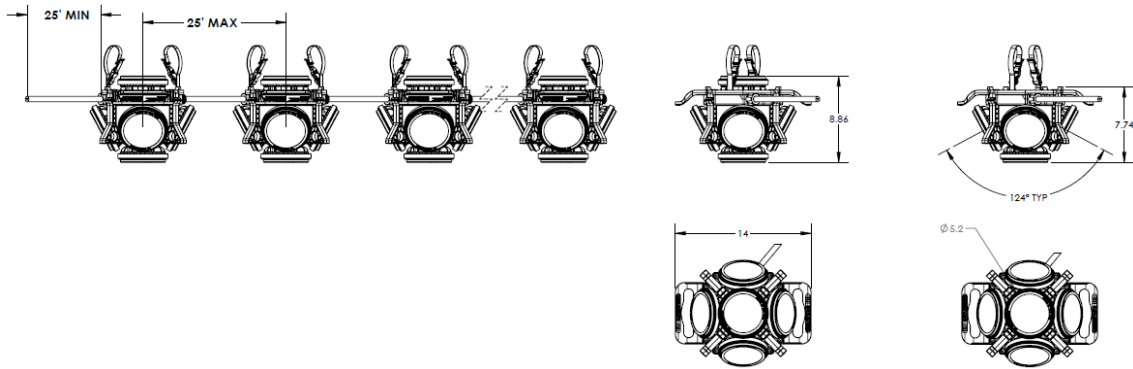
**ALL WIRING SHOULD BE DONE BY A LICENSED ELECTRICIAN IN ACCORDANCE WITH STATE AND LOCAL CODES AS WELL AS NEC STANDARDS. IMPROPER INSTALLATION MAY RESULT IN SERIOUS INJURY.**

**THIS DEVICE SHALL NOT BE HARDWIRED TO A JUNCTION BOX.**

**REFER TO PRODUCT LABEL FOR ENVIRONMENTAL RATINGS.**

### **GENERAL INFORMATION**

KH Industries Hazardous Location luminaires meet the requirements of UL12.12.03-15; UL844 13<sup>th</sup> Ed; UL1598 3<sup>rd</sup> Ed; UL8750 1<sup>st</sup> ED; UL1203 5<sup>th</sup> Ed; UL50 13<sup>th</sup> Ed; CSA C22.2 No.213-15; C22.2 No.137-M1981; C22.2 No.250.4-14; C22.2 No.250.13-12; C22.2 No.30-M1986; C22.2 No.94-M91 for Class I Div 1 Groups C and D; Class I Div 2 Groups A,B,C, and D; T5



**Technical Data**

Input Voltage	110 VAC
Input Power	338 to 811 W Max
Light Output	10200 Lumen/Head Max
Supply Cord	14/3 Min
Weight <sup>†</sup>	<8 lbs/Luminaire
Operating Environment	-0°C – 40°C

<sup>†</sup>Minus Cord

**Safety Information**

**WARNING:** Never leave your HazRay unattended and energized.  
**CAUTION:** The lamp may become hot to the touch. Do not handle the luminaire by other than the handle or mounting device.

**Do not use this luminaire if there are loose components or signs of damage or excessive wear.**

**Accessories**

Protective caps and mounting accessories are available contact KH sales for details

Clear Protective Cap	KH400-03026-001
Diffuser Protective Cap	KH400-03026-002
Domed Protective Cap	KH400-03026-005
Articulated Small Claw, 5/8-1" Grip	KH400-03046-001
Articulated Large Claw, 1-17/8" Grip	KH400-03046-002
Articulated Magnet Base	KH400-03046-003

**Operating Instructions**

Visually inspect for damage, wear or loose parts. If found, immediately remove from service and call KH Industries.  
 Connect to proper power source for immediate illumination.

**Maintenance**

**WARNING:** It is very important that only qualified personnel perform maintenance and repair operations in a non-hazardous area. Prior to each use, operator should visually inspect light. If there are any signs of loose, worn or damaged components, immediately remove the luminaire from service and contact KH Industries.

Maintain the cleanliness of the unit. Keep heatsink fins of the lamp clear of debris and accumulating contaminants.



**safety straps are provided and should be used in conjunction with mounting hardware**

*This product has a one-year limited warranty from any factory defects on parts and labor*

**Technical & Customer Service Support**  
 160 Elmview Avenue • Hamburg, NY 14075 • 716-312-0088  
[www.khindustries.com](http://www.khindustries.com)

KH200-02554 REVA