



CRK Series Cord Reel

Instruction & Operation Manual



Model: CRK-C515-T12E
Model: CRK-1DB515-T12E
Model: CRK-C515W-T12E

ELECTRICAL RATINGS

WARNING

DO NOT OVERLOAD!

Check the amperages of the tools or appliances to be plugged into the outlets of the extension cord reel. Listed below are the maximum amperage ratings.

MODEL	Cord Length	Cord Type/Gauge	Maximum Outlet Rating
Model: CRK-C515-T12E Model: CRK-1DB515-T12E Model: CRK-C515W-T12E	20'	12/3 SJTOOW	125VAC, 60 HZ 1875 Watts, 15 Amps

1. This CRK series cord reel **MUST BE USED** in accordance with all electrical and safety codes and ordinances, including the most recent National Electrical Code (NEC) and with the Occupational Safety and Health Act (OSHA) Volume 1 on General Industry standards and interpretations.
2. **ALWAYS** make certain that the power source conforms to the requirements on the cord reel.
3. **ALWAYS** disconnect the power before servicing or inspecting the cord reel for any reason.
4. This cord reel is only for use on 110-125V circuits and is equipped with approved 3 conductor cord with a 3-prong, grounded plug. **TO REDUCE THE RISK OF ELECTRICAL SHOCK**, it should only be plugged into a properly grounded 3-prong outlet.
5. **CIRCUIT BREAKER OVERLOAD PROTECTION:** The reset button for the circuit breaker is located on the side of the reel. If unit is overloaded, circuit breaker will trip (black reset button will pop out). Remove overload, wait two minutes, then reset by pressing black button.
6. **CAUTION: RISK OF ELECTRIC SHOCK.** Do not use in or near standing water, or where water may accumulate. Keep plug dry. **DO NOT IMMERSE THIS CORD REEL.**
7. **INDOOR RATED CORD REELS ARE NOT** intended for use in potentially wet locations. **NEVER** attempt to pick up plugged-in power tools or appliances should they fall into standing water. Fatal electrocution could result!
8. **OUTDOOR RATED CORD REELS** are required to have this reel connected to a circuit protected by a Ground Fault Circuit Interrupter (GFCI) when used in outdoor applications or indoor wet or damp conditions.
9. This cord reel comes equipped with a 3-prong grounded plug. **DO NOT** remove the 3rd prong or otherwise try to modify the plug. If it will not fit the outlet, have the proper outlet installed by a qualified electrician. Improper connection of the grounding conductor can result in a risk of electrical shock.
10. **NEVER** attempt to plug the cord reel into a non-grounded outlet or extension cord and **ALWAYS** be sure that the extension cord is in good electrical condition.
11. This cord reel is not hazardous location rated. **DO NOT** use in potentially dangerous locations, such as in flammable or explosive atmospheres.
12. Keep away from heating vents, radiators, or other sources of heat.
13. **KEEP OUT OF THE REACH OF CHILDREN.**

OPERATION

Pull cord out to desired length and stop. If cord does not hold, continue to pull cord slowly, stopping every 4 inches. This will engage lock. To retract, pull cord out 2 to 4 inches and guide the cord slowly back into the cord reel.

Note:

1. Outlet is un-switched and energized at all times.
2. If cord becomes wet during use, it should be wiped dry with a clean, dry rag prior to retracting. This will prevent moisture from entering the cord reel enclosure.

CAUTION

To avoid possible injury, **DO NOT** allow cord to retract into the cord reel unrestrained. Guide the cord slowly back into the reel.

CIRCUIT BREAKER OVERLOAD PROTECTION

The reset button (A) for the circuit breaker is located at the side of the enclosure (Fig. 1). If the unit is overloaded, the circuit breaker will trip (black reset button will extend out). Remove overload and wait two minutes. Remove circuit breaker cover (B), then reset by depressing the black button. Replace the circuit breaker cover.

MAINTENANCE

WARNING: UNPLUG UNIT BEFORE PERFORMING ANY MAINTENANCE.

Remove dirt and grime as soon as it accumulates. Use a soft, damp cloth and a mild soap, if needed. Be sure not to get the electrical plug wet. **NEVER** submerge any part of the cord reel in any solution to clean it. **DO NOT USE** solvents such as gasoline, turpentine, etc. to clean unit. Keep reel cord clean to assure smoothest automatic retraction. To clean, pull out to full length and allow the cord to retract through a dampened rag. Pull out to full length again to allow cord retract through a clean dry rag. **DRY THOROUGHLY BEFORE PLUGGING BACK INTO OUTLET.**

LIMITED ONE YEAR WARRANTY

All KH Industries products are individually tested and inspected for defects in material and workmanship before leaving the factory. Should this product fail within ONE YEAR due to faulty workmanship or material, return to the original place of purchase for a replacement. Our one year warranty is limited to the replacement of the original purchase. No other liability. Responsibility or warranty is expressed or implied, including any fitness for a particular purpose. Please reference our formal Terms and Conditions of Sale for details.

CRK-C515W-T12E - NEMA 3R INDOOR/OUTDOOR RATED

OUTDOOR CORD REEL INSTALLATION

It is recommended that only qualified personnel install this cord reel. The provided lag screws can be used to mount to wood studs. Other mounting surfaces such as steel or aluminum will require pre-drilled holes and special bolts.

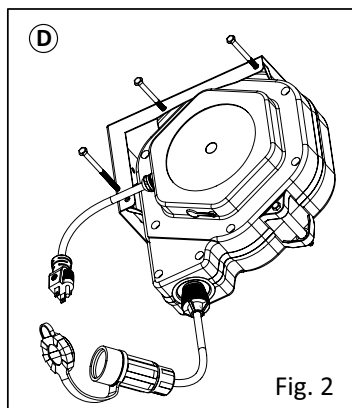
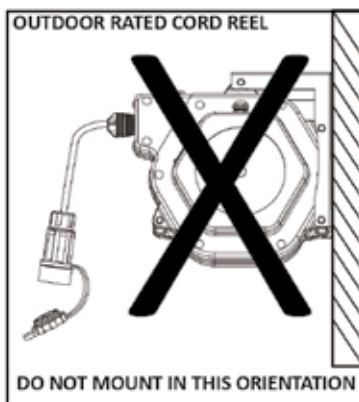
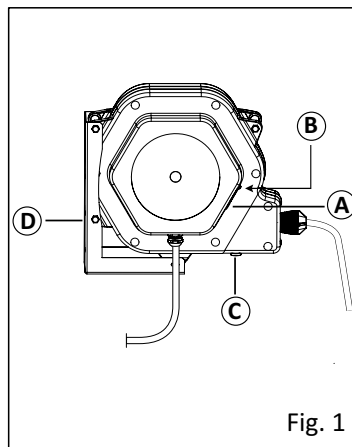
! WARNING

1. A ground fault protected circuit is required when mounting this cord reel outdoors.
2. An in-use cover (shown) is required when mounting this cord reel outdoors.



! CAUTION

1. When mounting outdoors the drain hole plug (part C in Fig. 1) must be removed to allow possible water accumulation to exit.
2. When using the cord reel outdoors, the mounting should not allow the cord entrance to be at angle above horizontal. The mounting positions as shown in Fig. 3 and Fig. 4 are illustration of the allowable mounting for outdoor use.
3. **ABSOLUTELY DO NOT** mount the **outdoor rated cord reel** (Model: CRK-C515W-T12E) in the orientation shown to the right.
4. In-use cover must be used in accordance with manufacturer instructions.
5. Weather-tight cover must be used on outdoor connector when reel not in use (Fig. 2).



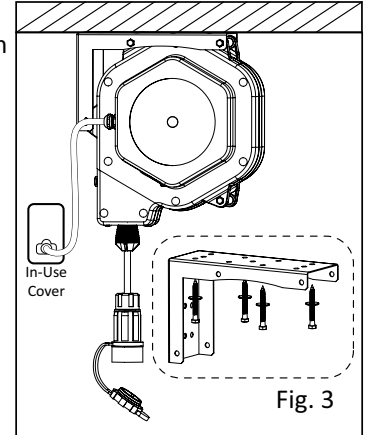
Bracket Removal (Fig. 2)

This cord reel comes with a fixed L shaped bracket that is mounted to the reel (Fig. 2). It will be necessary to unscrew the 3 bolt and nuts (D) to remove the bracket and mount it to a solid surface. Tools will be needed for this operation.

This cord reel is suitable for indoor or outdoor use. It can be used in wet or damp locations in outdoor use. IP54 rated. It is not recommended for use in the rain. Once the cord is in use and is extended, the cord stop can be pulled out of the reel, water can enter the reel if subjected to heavy rain.

Ceiling Mount (Fig. 3)

1. Select a convenient location within 5 ft. of an electrical outlet.
2. Mark the location for the 3 lag screws so they will engage fully into a ceiling joist.
3. Drill a minimum of three 3/16" pilot holes so the bolts for screws in the marked locations.
4. Mount the bracket by inserting the 3 lag screws into the pilot holes and tighten with tools
5. Install the cord reel on the L bracket with the 3 bolts; tighten the nuts to the bolts to secure the reel on the L bracket.
6. Plug the power cord into the outlet.

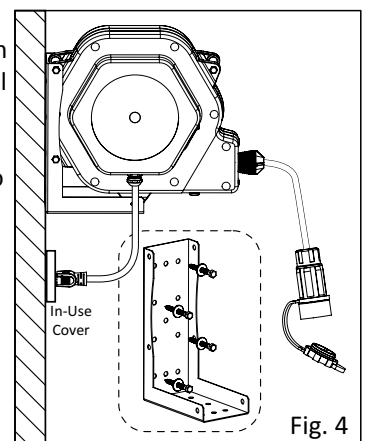


! WARNING

*If ceiling mounted cord reel is not mounted properly it could result in serious injury. Cord reel **MUST** be mounted to a sound structure to support the weight of the reel, any pull force applied, as well as any additional stress due to usage. Secure reel to structure with safety lanyard or cable (not provided) to minimize damage and/or possible injury in the event of mounting failure.*

Wall Mount (Fig. 4)

1. Select a convenient location within 5 feet of an electrical outlet.
2. Mark the location of a minimum of 3 lag screws so they will fully engage into a wall stud.
3. Drill pilot holes same as instructed for the ceiling mount.
4. Mount the bracket by inserting the 3 lag screws into the pilot holes and tighten with tools.
5. Install the cord reel on the L bracket with 3 bolts (D); tighten the nuts to the bolts to secure the cord reel on the L bracket.
6. Plug the power cord into the outlet.

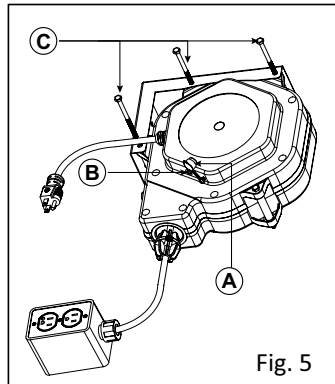


CRK-C515-T12E & CRK-1DB515-T12E - INDOOR RATED

INDOOR CORD REEL INSTALLATION

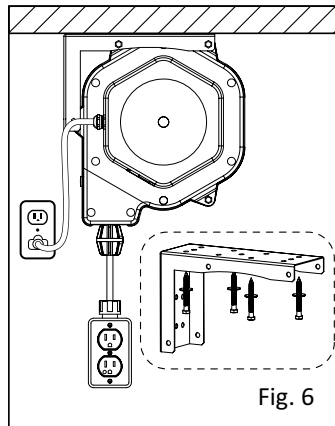
Bracket Removal (Fig. 5)

This cord reel comes with a fixed L shaped bracket that is mounted to the reel (Fig. 5). It will be necessary to unscrew the 3 bolt and nuts (C) to remove the bracket and mount it to a solid surface. Tools will be needed for this operation.



Ceiling Mount (Fig. 6)

1. Select a convenient location within 5 ft. of an electrical outlet.
2. Mark the location for the 3 lag screws so they will engage fully into a ceiling joist.
3. Drill a minimum of three 3/16" pilot holes so the bolts for screws in the marked locations.
4. Mount the bracket by inserting the 3 lag screws into the pilot holes and tighten with tools.
5. Install the cord reel on the L bracket with the 3 bolts (C); tighten the nuts to the bolts to secure the reel on the L bracket.
6. Plug the power cord into the outlet.

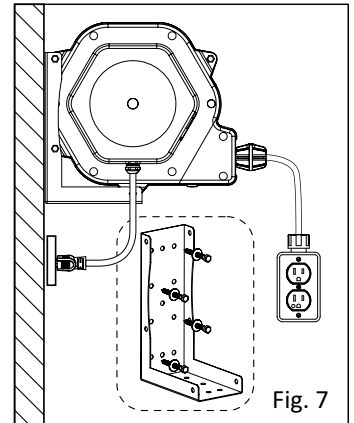


This cord reel is suitable for indoor use only. **DO NOT** handle this cord reel or try to plug it in when your hands are wet or damp or when you are standing on a wet or damp surface or in water.

Indoor rated cord reels should be plugged into any 110-125V standard wall outlet. Plug up to two (2) electrical appliances into the duplex outlets. **DO NOT EXCEED MAX RATING.**

Wall Mount (Fig. 7)

1. Select a convenient location within 5 feet of an electrical outlet.
2. Mark the location of a minimum of 3 lag screws so they will fully engage into a wall stud.
3. Drill pilot holes same as instructed for the ceiling mount.
4. Mount the bracket by inserting the 3 lag screws into the pilot holes and tighten with tools.
5. Install the cord reel on the L bracket with 3 bolts (C); tighten the nuts to the bolts to secure the cord reel on the L bracket.
6. Plug the power cord into the outlet.



WARNING

*If ceiling mounted cord reel is not mounted properly it could result in serious injury. Cord reel **MUST** be mounted to a sound structure to support the weight of the reel, any pull force applied, as well as any additional stress due to usage. Secure reel to structure with safety lanyard or cable (not provided) to minimize damage and/or possible injury in the event of mounting failure.*