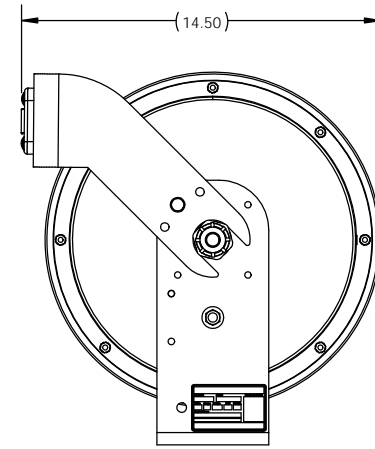
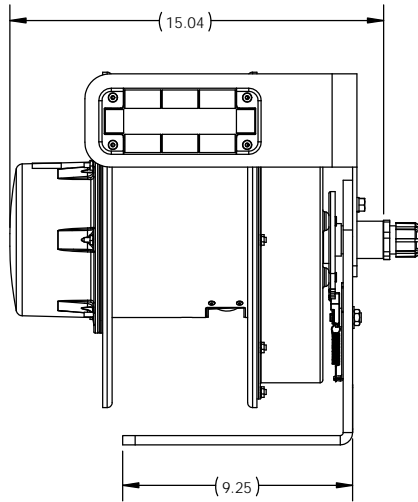
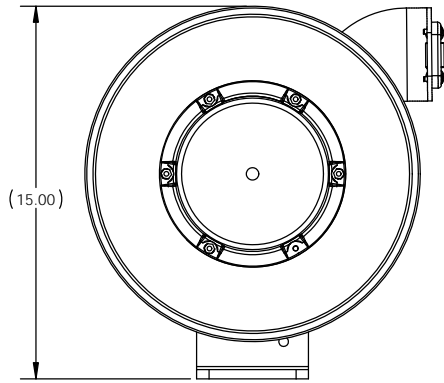
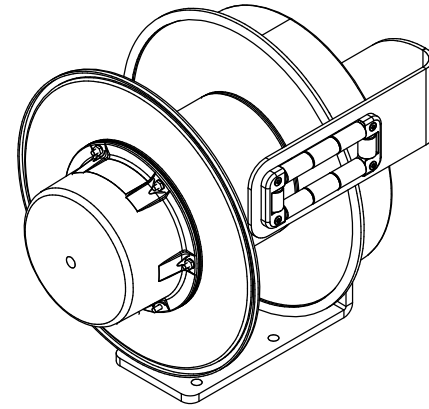


8 7 6 5 4 3 2 1

REVISIONS			
REV	DESCRIPTION	DATE	NAME



COMMENTS: NOT FOR PRODUCTION FOR CUSTOMER APPROVAL ONLY PROPRIETARY AND CONFIDENTIAL THE INFORMATION CONTAINED IN THIS DRAWING IS THE SOLE PROPERTY OF K & H INDUSTRIES. ANY REPRODUCTION IN PART OR AS A WHOLE WITHOUT THE WRITTEN PERMISSION OF K & H INDUSTRIES IS PROHIBITED.	DRAWN: JACOB DATE: 07-21-10	K & H INDUSTRIES 160 Elmview Ave. Hamburg, NY 14075 BRT-9 RITE REEL SCALE: 1:16 100 NOT SCALE DRAWING SHEET 1 OF 1
	CHECKED: JACOB DATE: 07-21-10	
	APPROVED: JACOB DATE: 07-21-10	
	DESIGNED: JACOB DATE: 07-21-10	

8 7 6 5 4 3 2 1