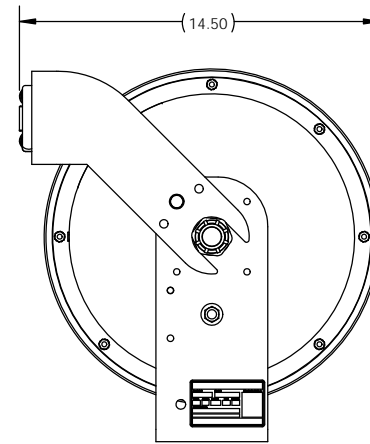
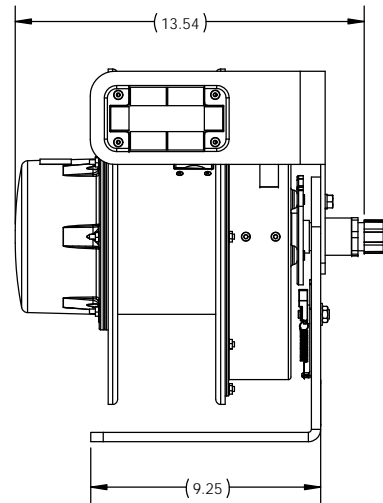
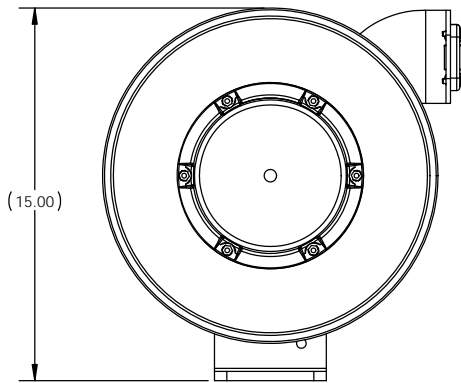
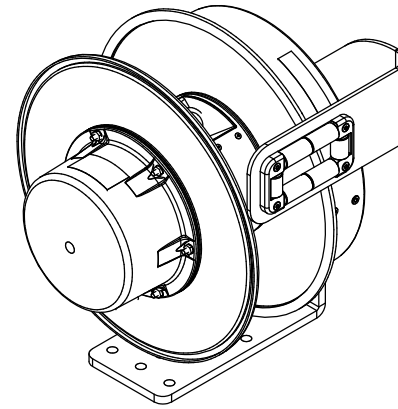


8 7 6 5 4 3 2 1

REVISIONS			
REV	DESCRIPTION	DATE	NAME



COMMENTS:  <b>NOT FOR PRODUCTION FOR CUSTOMER APPROVAL ONLY</b>  PROPRIETARY AND CONFIDENTIAL THE INFORMATION CONTAINED IN THIS DRAWING IS THE SOLE PROPERTY OF K & H INDUSTRIES. ANY REPRODUCTION IN PART OR AS A WHOLE WITHOUT THE WRITTEN PERMISSION OF K & H INDUSTRIES IS PROHIBITED.	DESIGNED: J. H. [Signature] CHECKED: J. H. [Signature] APPROVED: J. H. [Signature]	DATE: 07-21-10 DRAWN: J. H. [Signature] CHECKED: J. H. [Signature] APPROVED: J. H. [Signature]	<b>K &amp; H INDUSTRIES</b> 160 Elmview Ave. Hamburg, NY 14075  DRAWING NUMBER: <b>B-RTL-4</b> TITLE: <b>RTL REEL</b> SCALE: 1:16 100% NOT SCALE DRAWING
	DATE: 07-21-10 DRAWN: J. H. [Signature] CHECKED: J. H. [Signature] APPROVED: J. H. [Signature]	DATE: 07-21-10 DRAWN: J. H. [Signature] CHECKED: J. H. [Signature] APPROVED: J. H. [Signature]	
	DATE: 07-21-10 DRAWN: J. H. [Signature] CHECKED: J. H. [Signature] APPROVED: J. H. [Signature]	DATE: 07-21-10 DRAWN: J. H. [Signature] CHECKED: J. H. [Signature] APPROVED: J. H. [Signature]	
	DATE: 07-21-10 DRAWN: J. H. [Signature] CHECKED: J. H. [Signature] APPROVED: J. H. [Signature]	DATE: 07-21-10 DRAWN: J. H. [Signature] CHECKED: J. H. [Signature] APPROVED: J. H. [Signature]	

8 7 6 5 4 3 2 1

D  
C  
B  
A