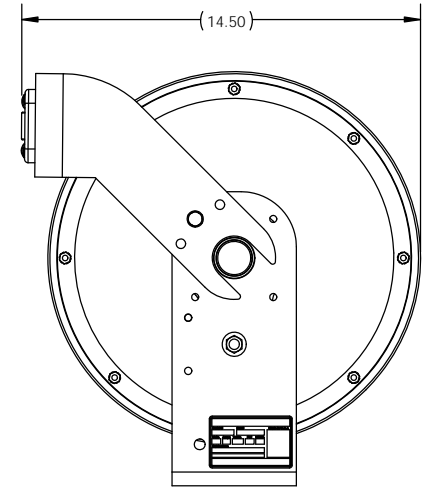
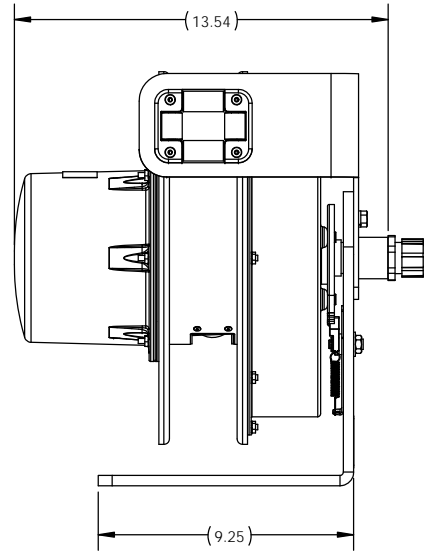
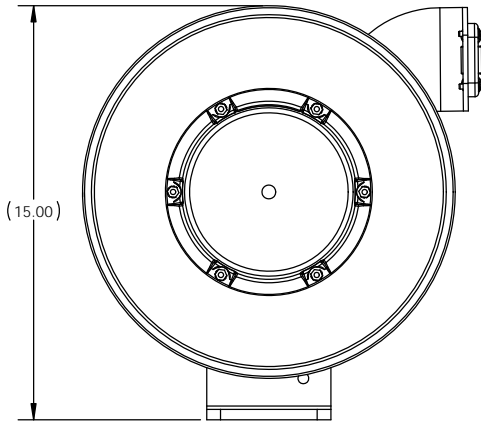
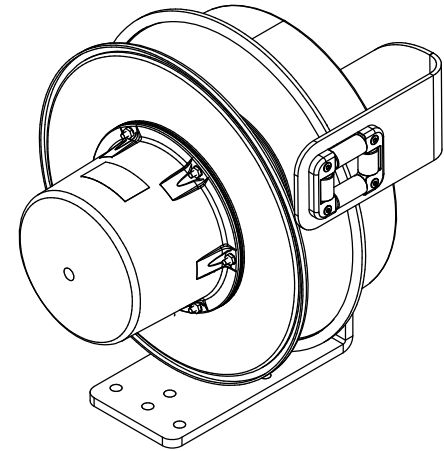


8 7 6 5 4 3 2 1

REVISIONS			
REV	DESCRIPTION	DATE	NAME



8 7 6 5 4 3 2 1

COMMENTS: NOT FOR PRODUCTION FOR CUSTOMER APPROVAL ONLY PROPRIETARY AND CONFIDENTIAL THE INFORMATION CONTAINED IN THIS DRAWING IS THE SOLE PROPERTY OF K & H INDUSTRIES. ANY REPRODUCTION IN PART OR AS A WHOLE WITHOUT THE WRITTEN PERMISSION OF K & H INDUSTRIES IS PROHIBITED.	DRAWN: JACOB CHECKED: JACOB APPROVED: JACOB DATE: 07-24-10	NAME: JACOB TITLE: JACOB DATE: 07-24-10	K & H INDUSTRIES 160 Elmview Ave. Hamburg, NY 14075
	PREPARED BY: JACOB DATE: 07-24-10	DATE: 07-24-10	
	PART NUMBER: B-RTL-1 REVISION: 001	DRAWING NUMBER: B-RTL-1	
	SCALE: 1:1 SHEET 1 OF 1	SCALE: 1:1 SHEET 1 OF 1	