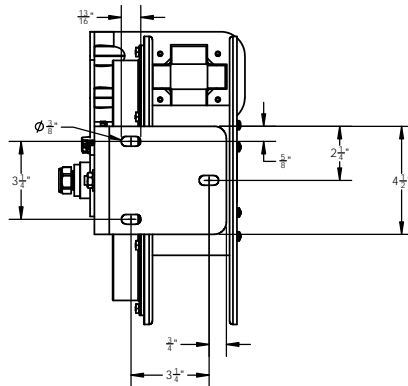
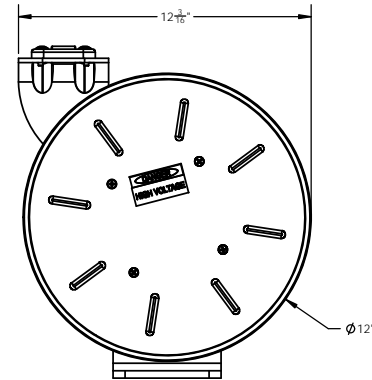
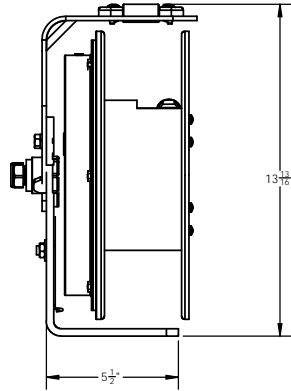
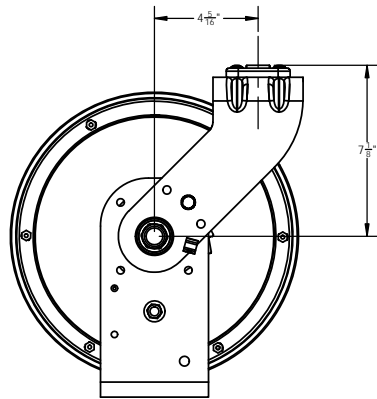
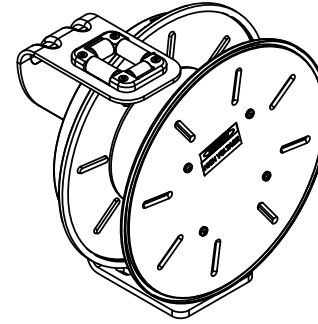
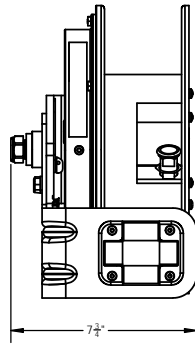


REVISIONS			
REV.	DESCRIPTION	DATE	NAME

H
G
F
E
D
C
B
A



PROPRIETARY AND CONFIDENTIAL
 This drawing and the information shown constitute trade secret and confidential property of KH Industries Inc. It is subject to recall, and is loaned for use only in connection with the authorized manufacture or installation of KH Industries Inc. products, and on the condition that it will be treated as confidential and will not be disclosed, published or reproduced in whole or in part, or permitted to be viewed or used by any other party, without specific written permission. Receipt and use of the drawing and information constitutes acceptance and agreement to the above.

	NAME	DATE
DRAWN	CG	05-12-16
CHECKED	RG	05-12-16
APPROVED	RG	05-12-16

KH INDUSTRIES
 160 Elmview Ave.
 Hamburg, NY 14075
 www.khindustries.com

UNLESS OTHERWISE SPECIFIED
 DIMENSIONS ARE IN INCHES
 ANGULAR ± 1° ± .03 ± .005

DRAWING NUMBER: CJ	REV DD
DESCRIPTION: RTB ASSEMBLY	
Material: VARIES	Finish: VARIES
SCALE: 1:1	DO NOT SCALE DRAWING
SHEET 1 OF 1	



THIRD ANGLE PROJECTION