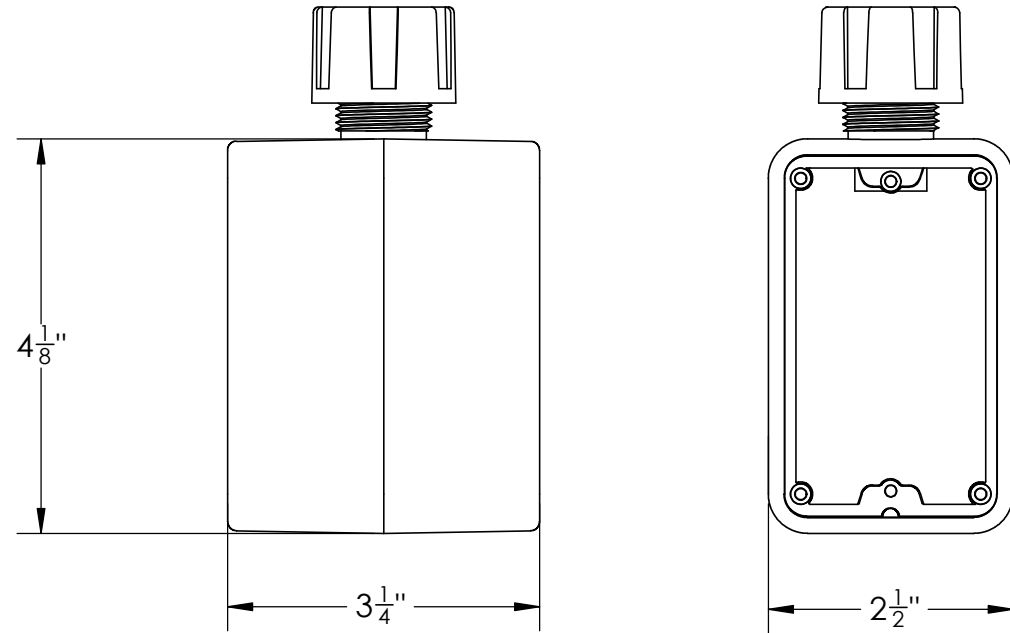
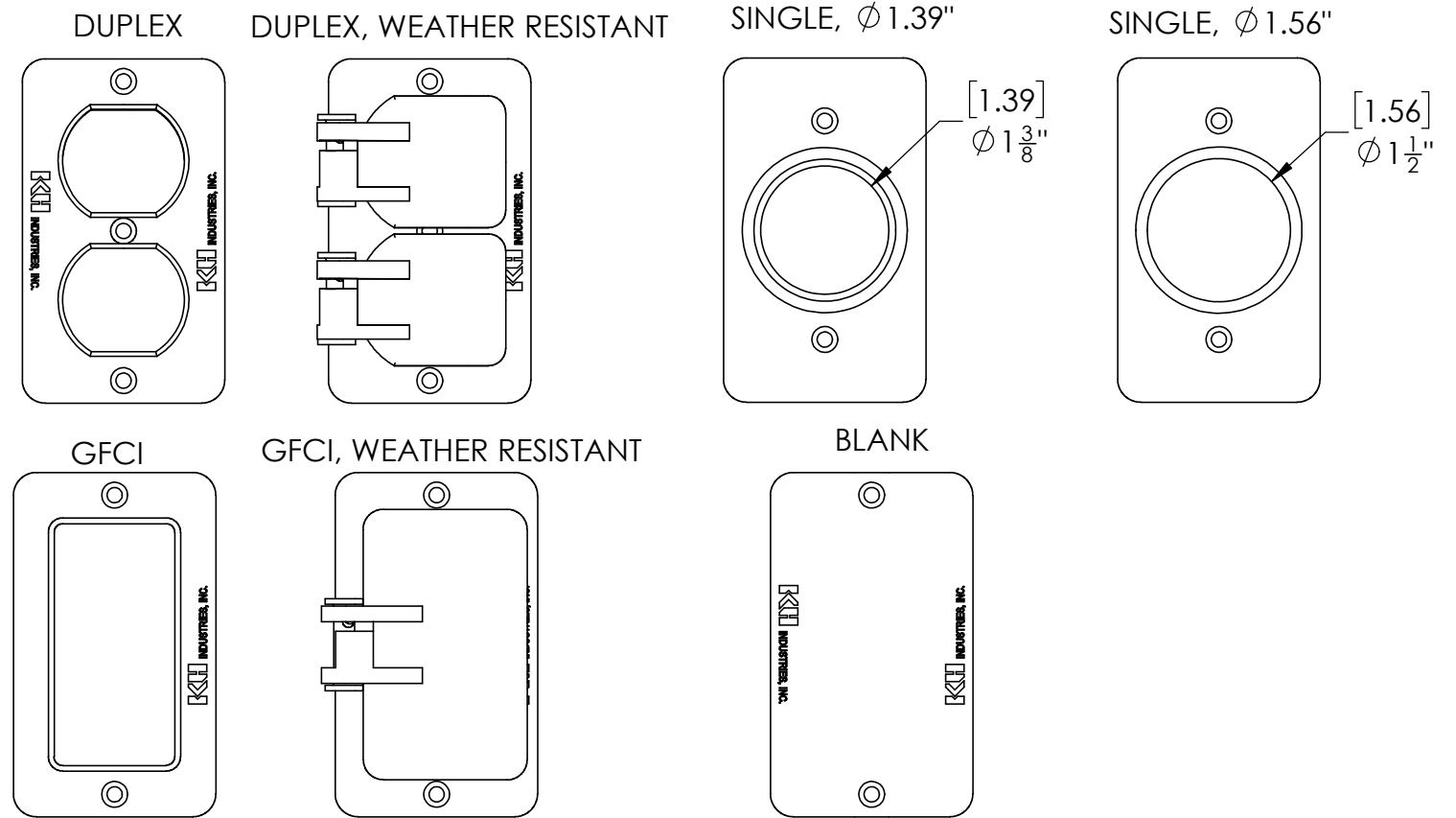


| REVISIONS | | | |
|-----------|-------------|------|------|
| REV. | DESCRIPTION | DATE | NAME |
| | | | |

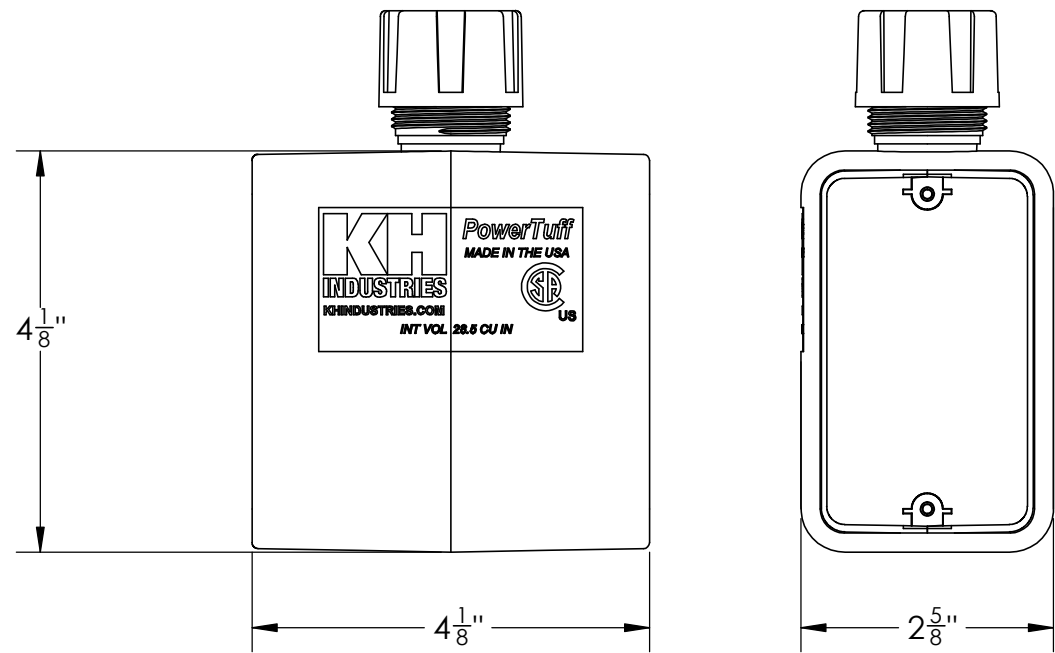
PT1, PT4 DIMENSIONS
STANDARD DEPTH OUTLET BOX



COVER PLATE OPTIONS



PT8, PT9 DIMENSIONS
EXTRA DEPTH OUTLET BOX



| CORD TYPE: | PT1/ PT4 | | PT8/ PT9 |
|----------------------|------------------|------------------------------|------------------------|
| | TYPE S | TYPE SJ | TYPE S |
| SMALL GROMMET | 18/3 | 18/3, 18/4, 16/3, 16/4, 14/3 | 12/3, 12/4, 12/5, 10/3 |
| MEDIUM GROMMET | 18/4, 16/3, 16/4 | 14/4, 12/3 | |
| LARGE GROMMET | 14/3, 12/3 | 10/3 | 12/4, 10/5 |
| APPROVED FOR USE IN: | US AND CANADA | | US ONLY |
| INTERNAL VOLUME: | 18.7 IN^3 | | 28.5 IN^3 |

PROPRIETARY AND CONFIDENTIAL
This drawing and the information shown constitute trade secret and confidential property of KH Industries Inc. It is subject to recall, and is loaned for use only in connection with the authorized manufacture or installation of KH Industries Inc. products, and on the condition that it will be treated as confidential and will not be disclosed, published or reproduced in whole or in part, or permitted to be viewed or used by any other party, without specific written permission. Receipt and use of the drawing and information constitutes acceptance and agreement to the above.

| | | |
|----------|------|------|
| DRAWN | NAME | DATE |
| CHECKED | | |
| APPROVED | | |

UNLESS OTHERWISE SPECIFIED DIMENSIONS ARE IN INCHES

| | | | |
|---------|------|-------|--------|
| ANGULAR | .X | .XX | .XXX |
| ± 1° | ± .1 | ± .03 | ± .005 |

THIRD ANGLE PROJECTION

KH INDUSTRIES
160 Elmview Ave.
Hamburg, NY 14075
www.khindustries.com

Material: PT SERIES OUTLET BOX
Finish: _____
SCALE: 1:2
DO NOT SCALE DRAWING
SHEET 1 OF 1